



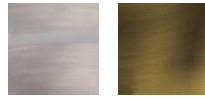
Project: \_\_\_\_\_

Location: \_\_\_\_\_

Fixture Type: \_\_\_\_\_

Catalog Number: \_\_\_\_\_

**AVAILABLE FINISHES:**



# Coliseo

PD-72128

**PRODUCT DESCRIPTION**

Simply elegant. Carved tiles of natural Spanish alabaster are set within a channel of luminous metal, creating a natural luxury.

**FEATURES**

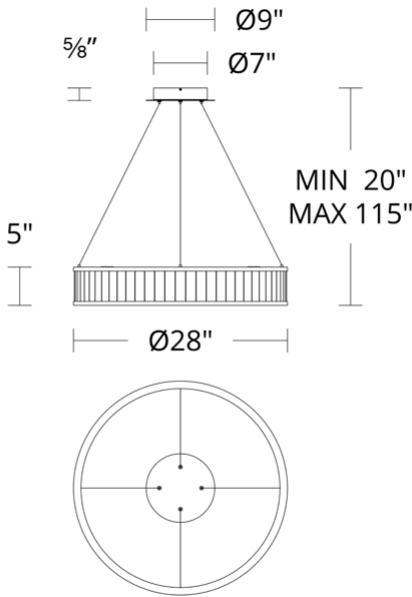
- Driver concealed within the canopy
- First quality Spanish alabaster
- Each crafted fixture combines individual pieces of natural stone that feature unique veining and color variation
- Thin powered aircraft cables provide an ultra clean look for adjustable suspension height
- Spin-on round canopy with minimal hardware
- Can be mounted on a sloped ceiling

**SPECIFICATIONS**

Rated Life	50000 Hours
Standards	ETL, cETL,Damp Location Listed, Title 24 JA8: 2019 Compliant
Input	120-277V,50/60Hz
Dimming	ELV, 0-10V, TRIAC
Color Temp	3000K
CRI	90
Construction	Extruded aluminum with alabaster shade

**REPLACEMENT PARTS**

RPL-GLA-72128 - Alabaster Panel



PD-72128

Model & Size	Color Temp	Finish	LED Watts	LED Lumens	Delivered Lumens
PD-72128 28"	3000K 3000K	AB Aged Brass AN Antique Nickel	42.1W 42.1W	4242 4242	2851 2851

Example: **PD-72128-AN**

For custom requests please contact [customs@modernforms.com](mailto:customs@modernforms.com)